

LEADER TIC LT10

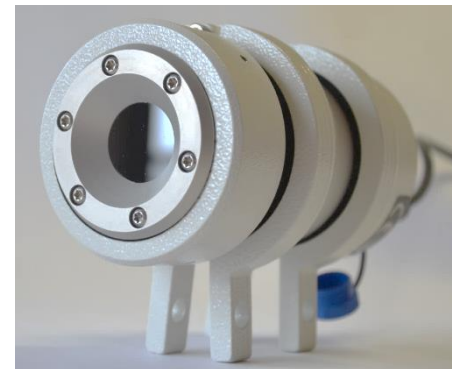
Thermal imaging camera

Perfect for truck mounting and surveillance



Outstanding features:

- Compact
- Lightweight ~ 700g
- 5 colorization modes
- Zoom 2x and 4x
- Numerical hot-spot temperature display
- IP67
- Integrated window heating for low ambient temperatures
- Wifi transmission kit (optional)



3 Sensibility modes with automatic switch:

- High sensibility temperature range: -40 +150°C
- Medium sensibility temperature range: -40 + 500°C
- Low sensibility temperature range: -40 +1150°C



Color Schemes:

LEADER TIC LT10 offers 5 color schemes:
Standard, Search, Cold Finder, Inverse and Multicolor



- STD / FIRE:**
- Dark Red > 850°C
 - Red > 675°C
 - Orange > 500°C
 - Dark Yellow > 350°C
 - Yellow > 200°C
 - White = Hot
 - Black = Cold

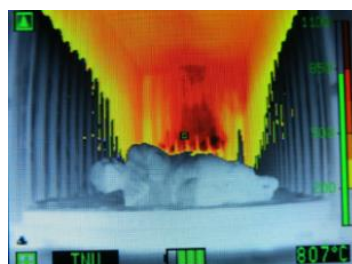


SEARCH:
7 hottest % coloured from red to yellow.

COLD Finder:
Coldest spots are blue



INVERSE: White = Cold
Black = Hot



MULTICOLOUR: Technical observation
Hazardous goods



LEADER®

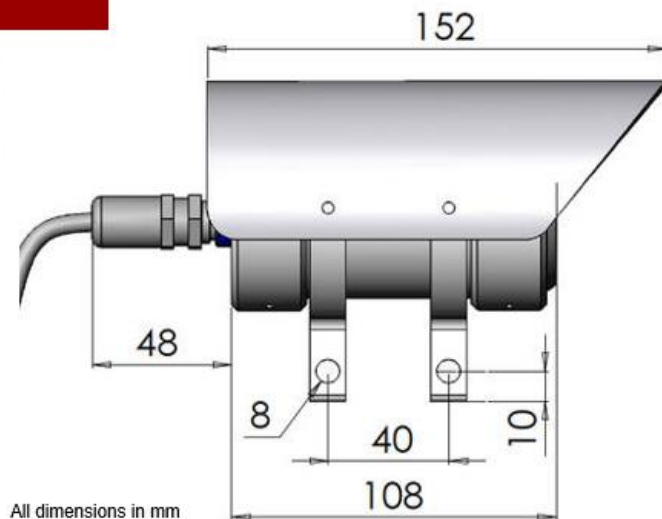
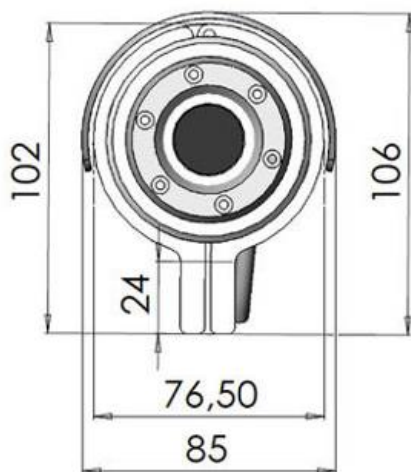
Technical Specification:

LEADER TIC LT10	
Dimensions	L=135mm / Ø 68 mm
Weights	ca. 700 g
Frequency	60Hz Fields per second
T°C Range	-40° to +1150°C
Colorization	Fire, Search, Cold Finder, Inverse, and Multicolour
Casing	
Material / Colour	Alu powder-coated, seawater resistant RAL 9002
IP	IP67 / 1 Meter 30 minutes
Connection	8-pin Plug
Ambient T°	-40 °C to +80 °C
Mounting bracket	2 pieces included
Optics	
Material	Germanium Carbon Coated
Focus	0,35m to infinity
Visual field / FOV	H: 51° V: 40° Diag:72°

General	
Signal Output	Analog, Video-Out, FBAS NTSC or PAL 1Vss@75Ω
Boot time	< 5 seconds
Power supply	10 – 30 V DC
Power consumption	200mA - 24 V DC
Connecting cable	5m , 8-pin plug
Warranty	5 years on camera 10 years on thermal sensor
Sensor	
Type	17μ amorphous Silicon aSi Resolution 384 x 288
Spectral range	7 – 14 μm
T°C sensitivity	0,05°C ± 0,01
Options	
Sun Roof	Monitors (7",10")
Wifi transmission kit to PC, tablet or smartphone Box	



Dimensions:



As part of our policy of constantly researching to improve our equipment, we reserve the right to change the characteristics of our apparatus at any time without prior notice.
ZF.07.269.EN.9

LEADER®